



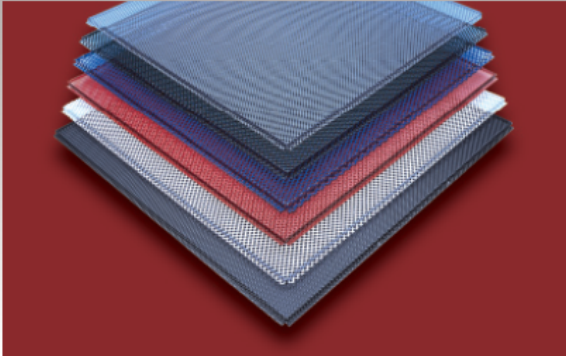
ABSOTEC

שיווק חיפויים וגימורים



Ceiling Panels in Expanded Metal Mesh

Ceiling Panels in Expanded Metal Mesh



TECHNICAL DATA

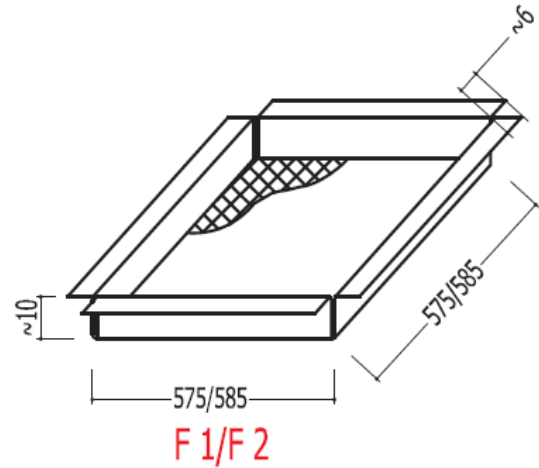
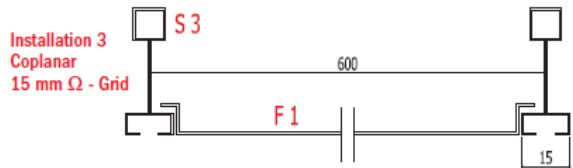
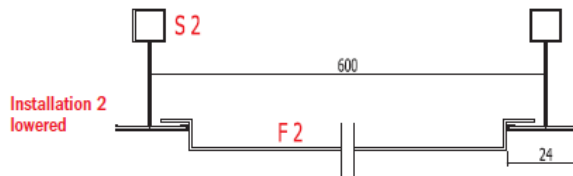
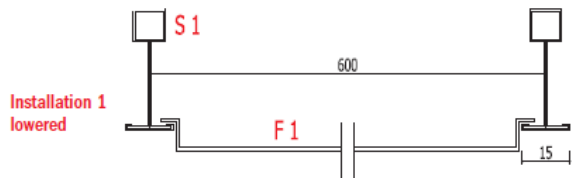
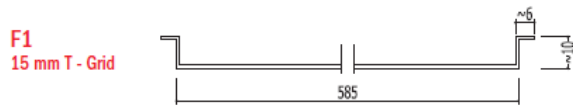
Ceiling panels in expanded metal mesh tool-made.

F1: format 585x585 for 15mm T-Grid S1/S3

F2: format 575x575 for 24mm T-Grid S2.

The ceiling panels, which are painted in different RAL colours, can be made with the following expanded metal meshes:

- R 16 thickness 1 mm
- QT 10 thickness 1 mm
- Q 6 thickness 1 mm
- Q 8 thickness 1 mm



INSTALLATION

The ceiling panels can be easily installed on all common 15/24mm Grid.

Grid Module: 600mm

Type of Installation:

Installation 1: 15 mm T - grid S1, panel format F1, lowered

Installation 2: 24 mm T - grid S2, panel format F2, lowered

Installation 3: 15 mm Ω - grid S3, panel format F1, coplanar

APPLICATION

Usually the structures of the buildings do not have regular shapes, or else the dimensions of the room are not a multiple of the standard panel 600x600. In such cases, in order to avoid the cutting to measure of the panels, it would be better to make an adjustment cornice in plasterboard or in any other material along the perimeter.

